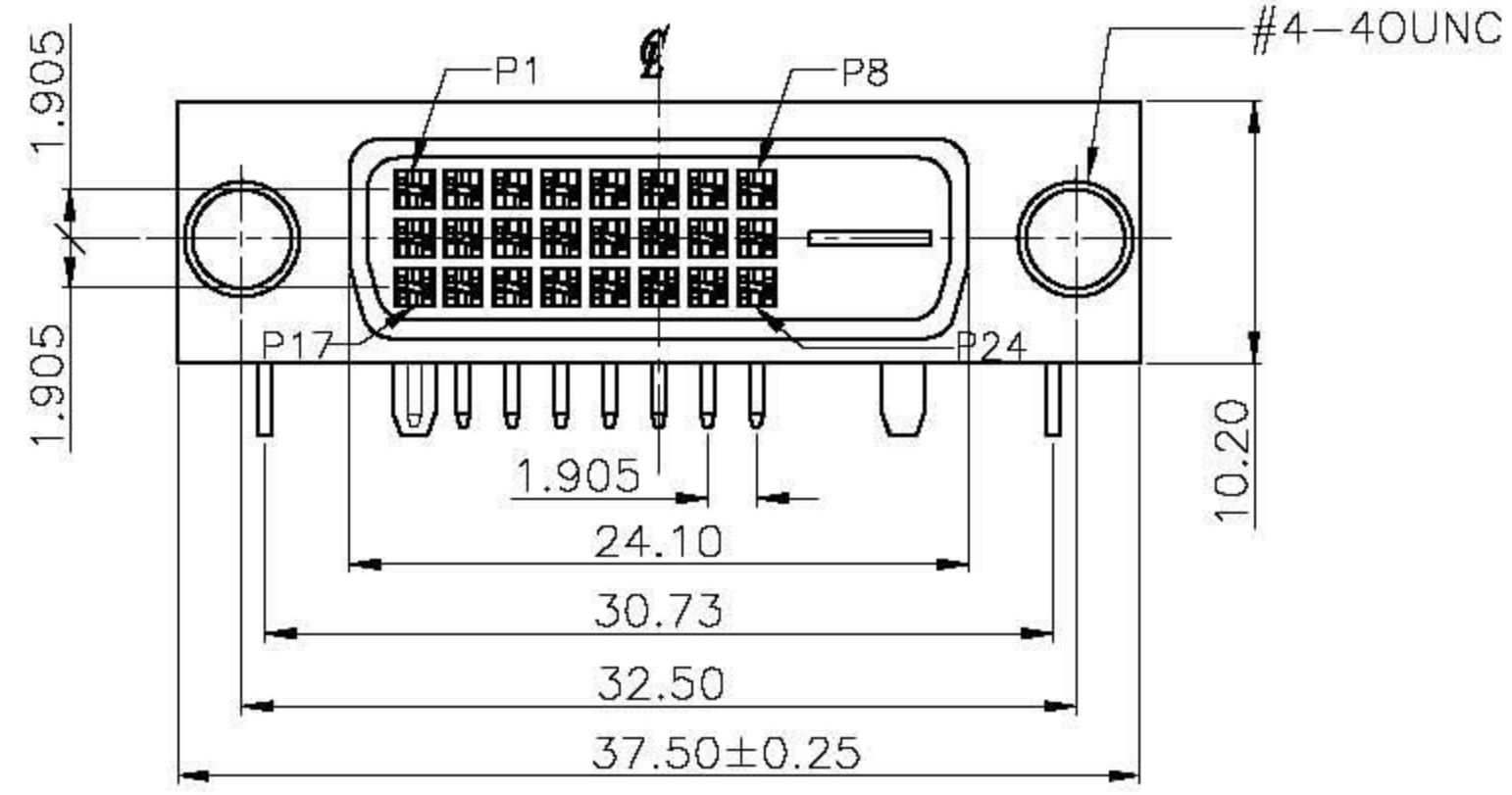
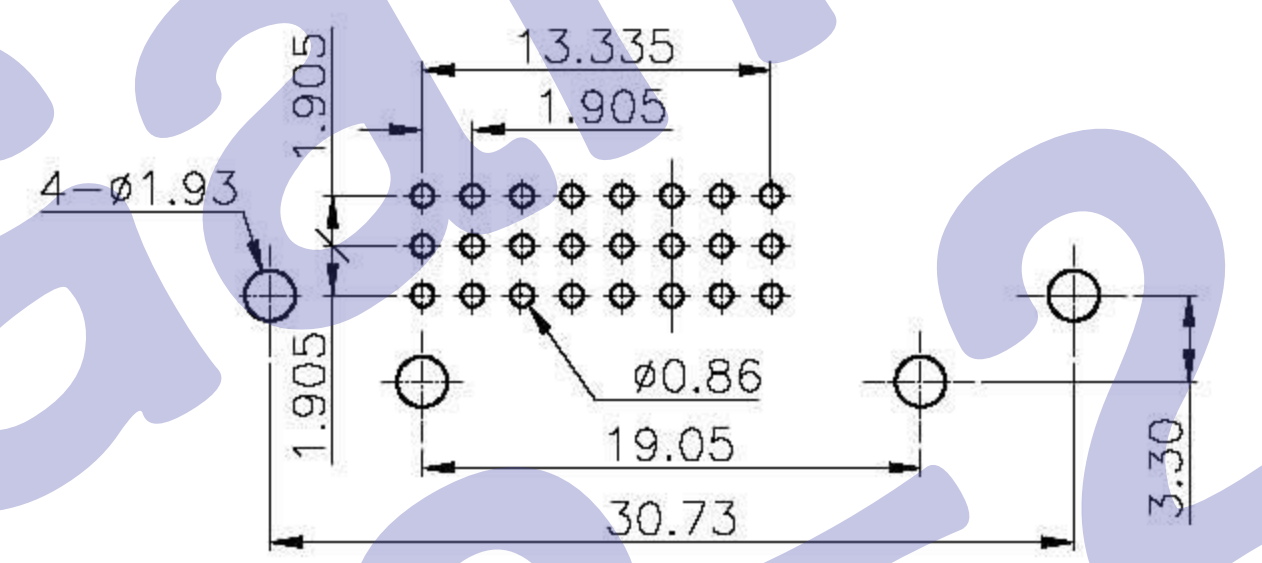
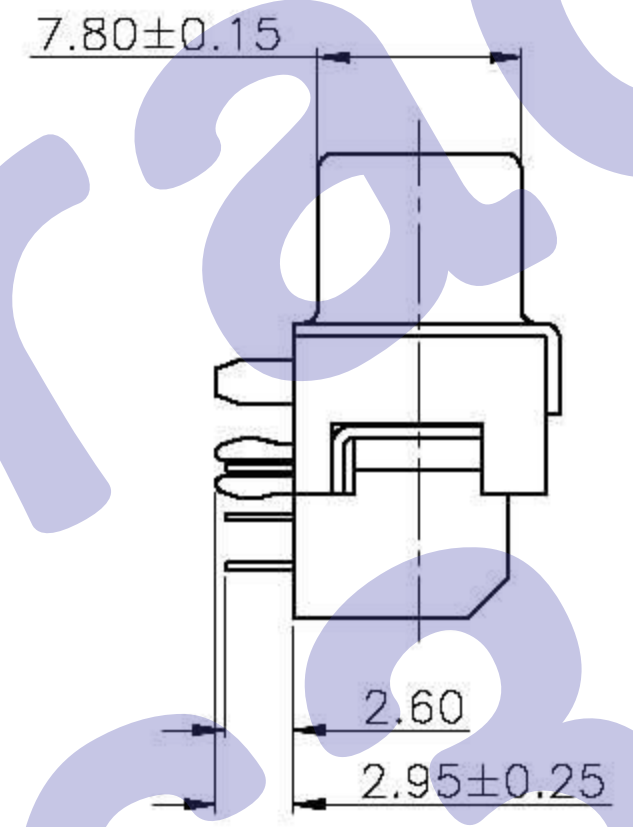
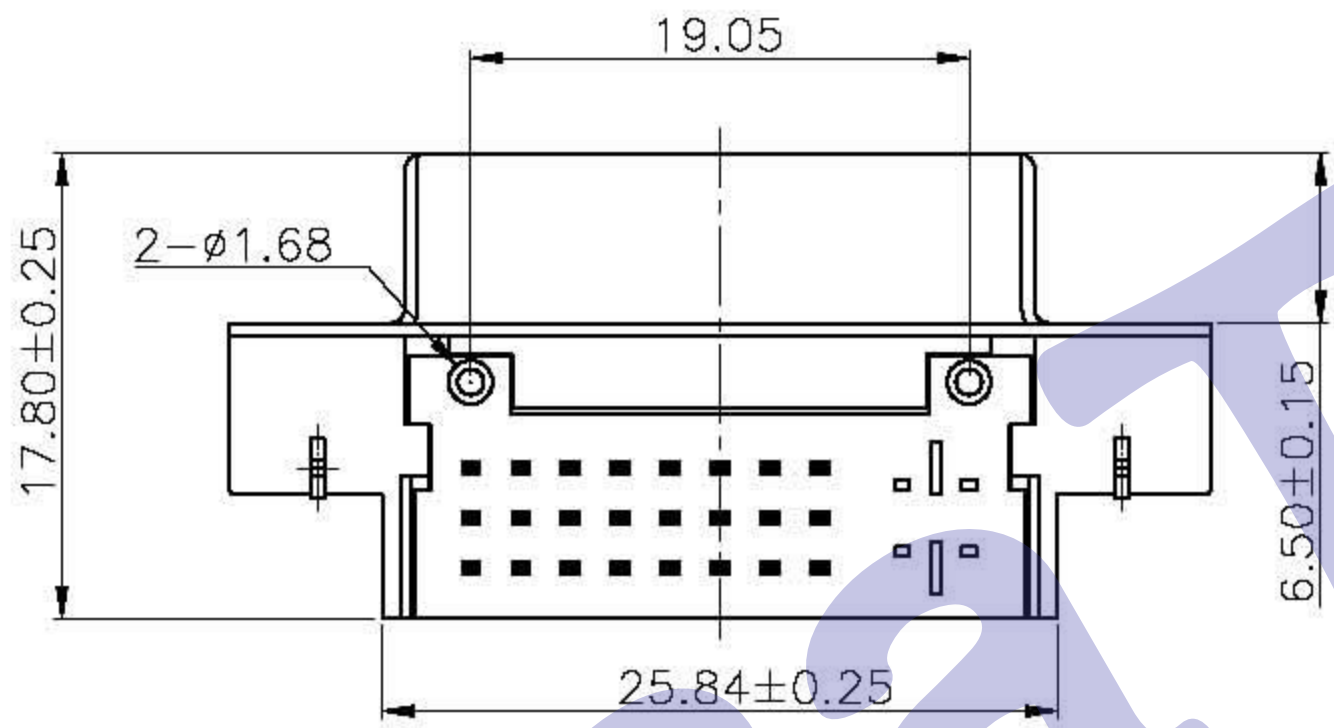


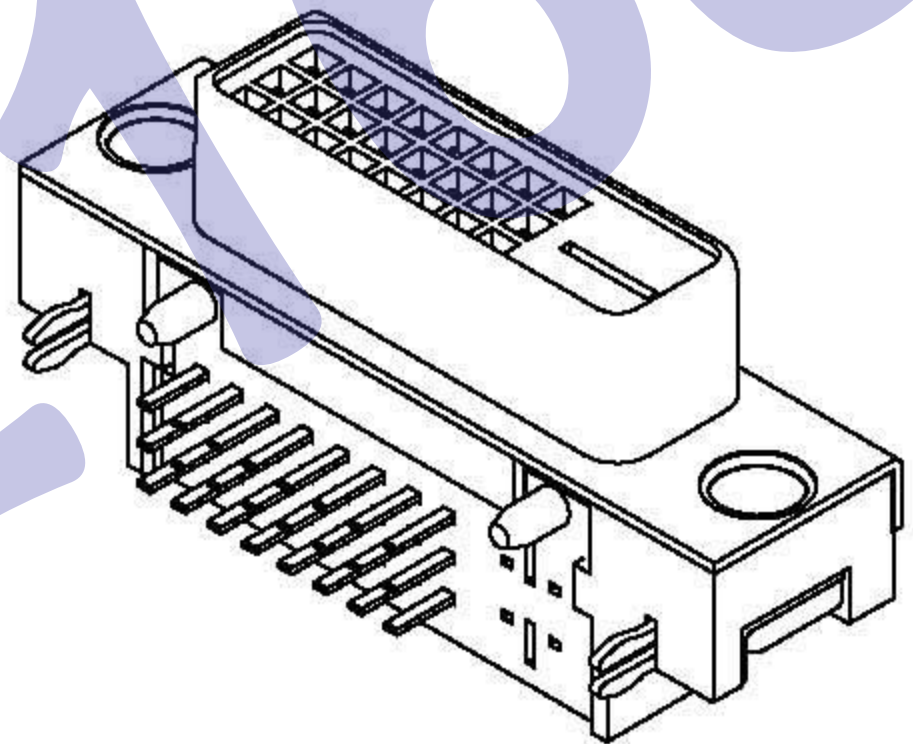
REV	BCN.NO:	B Y	DATE
A0	NEW DWG	HUANG	07/02/06



NOTE
 MATERIAL
 BODY&LATCH: NY66 RATED.
 CONTACTS:BRASS
 SHELL:SPCC
 LEG:BRASS
 RIVET:BRASS
 CONTACT PLATING: GOLD PLATING OVER NICKEL
 ELECTRICAL SPECIFICATION
 CURRENT RATING: 1.5A;
 VOLTAGE RATING: 40V;
 CONTACT RESISTANCE: 30mΩ MAX.
 INSULATION RESISTANCE:1000MΩ MIN 500V DC.
 DIELECTRIC WITHSTANDING VOLTAGE:500V AC
 ENVIRONMENTAL
 OPERATING TEMPERATURE: -20°C~80°C.



RECOMMENDED PCB LAYOUT



WT-4252XA-1 NUT SPC	WT-4252XA-1 NUT SPC	NO.	NUT SPC
 LOCK NUT	 ADD NUT	1	4.75*11.80 L=4.80
		2	4.75*11.80 L=5.80
		3	4.75*13.00 L=4.80
		4	4.75*13.00 L=5.80
	

-TOLERANCES- UNLESS OTHERWISE SPECIFIED				WINTOP DVI 24+1 DIP 90° FEMALE				
X.X ±0.30	X.X° ±3°	CHECK: STEVEN	DATE	SCALE	UNIT	TYPE	PAGE	
X.XX ±0.20	X.XX° ±1°	DRAW: TONY	2007.02.06	FREE	MM	Z	1	